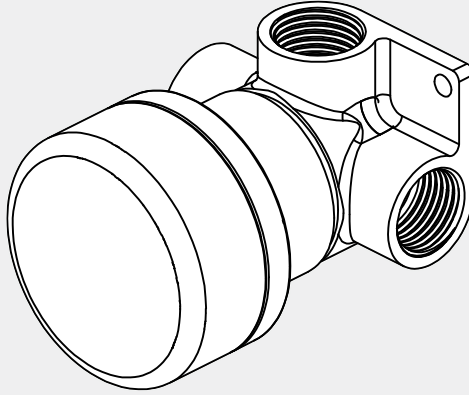


Serenity Progressive Shower Mixer

Nero

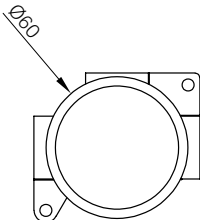
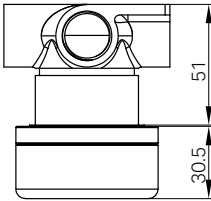


Lead Free



Versions:202506

Drawing



Specifications

Watermark License

WM-060073

Temperature Rating

Min 1°C-Max 75°C

Pressure Rating

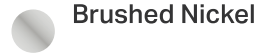
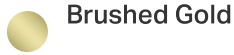
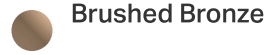
Min 150kpa - Max 500kpa

Group Item

- 1 x Serenity Progressive Shower Mixer body Only, SKU:24C025
- 1 x Serenity Marble/Metal Handle

*This product is packaged separately.

*Dimensions are nominal measurements only.



Serenity Progressive Shower Mixer With Carrara Handle

24E001BZ/ 24E001BG / 24E001BN/24E001GM / 24E001MB / 24E001CH

Serenity Progressive Shower Mixer With Verde Alpi Handle

24E002BZ/ 24E002BG / 24E002BN/24E002GM / 24E002MB / 24E002CH

Serenity Progressive Shower Mixer With Rome Travertine Handle

24E003BZ/ 24E003BG / 24E003BN/24E003GM / 24E003MB / 24E003CH

Serenity Progressive Shower Mixer With Arabescato Corchia Handle

24E004BZ/ 24E004BG / 24E004BN/24E004GM / 24E004MB / 24E004CH

Serenity Progressive Shower Mixer With Metal Handle

24E006BZ/ 24E006BG / 24E006BN/24E006GM / 24E006MB / 24E006CH

Serenity Progressive Shower Mixer With Marquina Black Handle

24E128BZ/ 24E128BG / 24E128BN/24E128GM / 24E128MB / 24E128CH

Installation Instruction

GENERAL INSTRUCTIONS:

- This product must be installed by a licensed plumber. Ensure that the installation complies with the Australian/New Zealand Standard AS/NZS 3500.
- All pipework must be thoroughly flushed prior to the installation of the mixer. In-line filters must be fitted on both hot and cold supplies to prevent foreign particles from damaging the ceramic cartridge.
- All outlets used primarily for personal hygiene must deliver water at a safe temperature in accordance with regional regulations.

NOTE:

- Do not hydrostatic test the installation with this mixer installed. Damage to the ceramic cartridge may occur.
- Do not remove the ceramic cartridge from the mixer when installing.
- After installation, all connections must be checked for leaks.
- This mixer is not recommended for use in uncontrolled heating systems such as wet-backs or solar heating units unless a suitable tempering valve is fitted.
- If limited water flow is experienced, locate aerator and filter washers and clean away foreign material as required.
- It is the responsibility of the plumber to ensure a waterproof seal is achieved between the product and mounting surface. If in doubt about the quality of the seal, remove the product and reinstall.
- The marble stone hand wheel crafted from natural marble. Each handle boasts unique variations in color, veining, and texture, making every piece one of a kind.

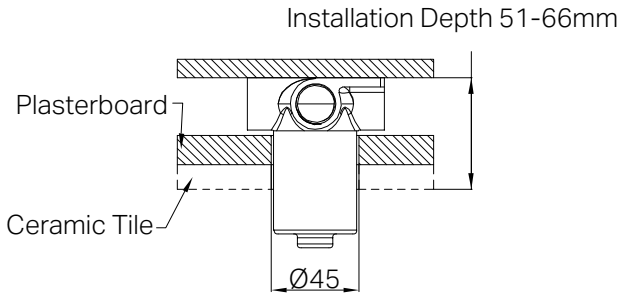
MAINTENANCE AND CARE:

- Regularly check the mixer and connections for signs of wear or leaks.
- Clean the tap with mild soapy water to maintain its appearance, avoiding harsh chemicals and abrasive materials that may damage the finish.
- Avoid contact with highly pigmented substances such as red wine, coffee and ink, as they may cause permanent staining.

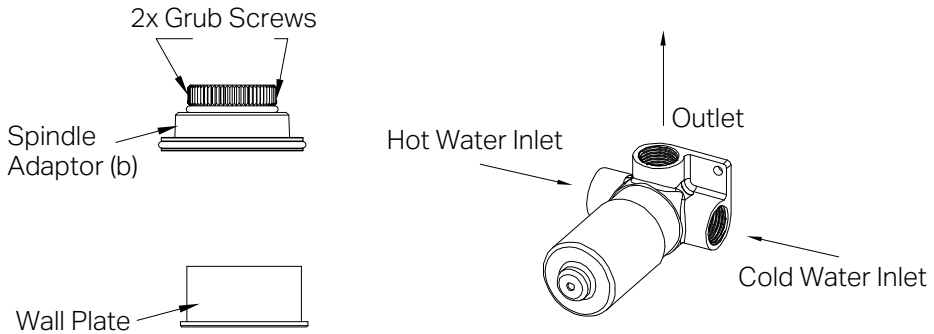
FINAL INSPECTION:

- Ensure the tap operates smoothly and that there are no leaks at the connections.
- Clean the area and the newly installed tap with a soft cloth to remove any installation residues.

Installation Instruction For Body Only

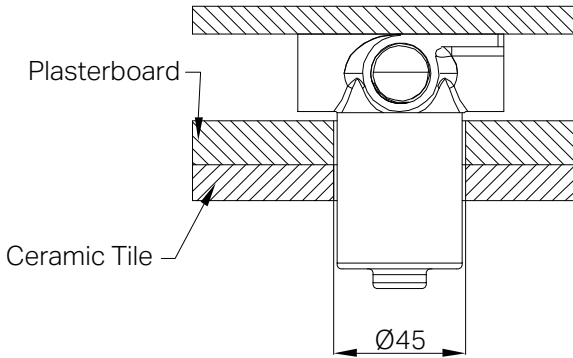


1. Position the mixer body against the nogging and secure it firmly. Ensure the installation depth is 51-66mm from the nogging to the ceramic tile.
2. Connect the cold and hot water supply lines and perform a leak test.
3. Drill one Ø45mm hole in the plasterboard as shown in the diagram.
4. Install plasterboard and waterproof the gap between the mixer body and plasterboard.

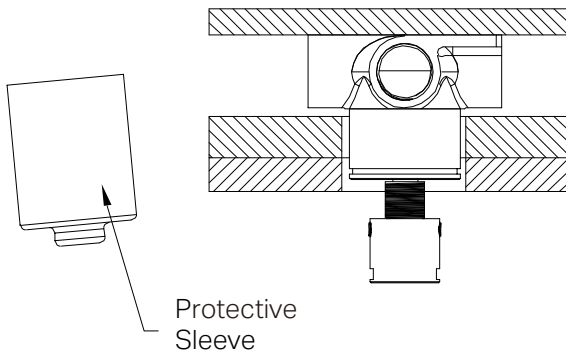


Note: The mixer body package includes one wall plate and one spindle adaptor (b), which are designed to be installed during the installation of the trim kits. The spindle adaptor (b) is equipped with two grub screws to ensure proper alignment and a secure fit.

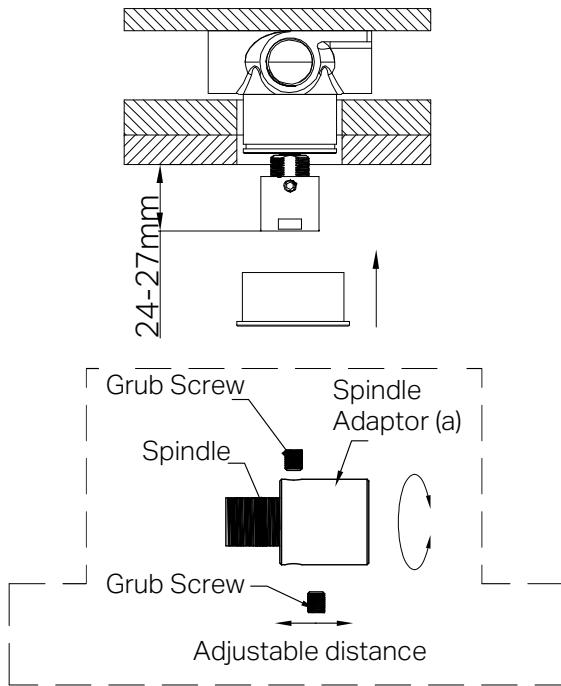
Installation Instruction For Trim Kits Only



1. Drill a $\text{Ø}45\text{mm}$ hole in the ceramic tile, then position it as shown in the diagram.



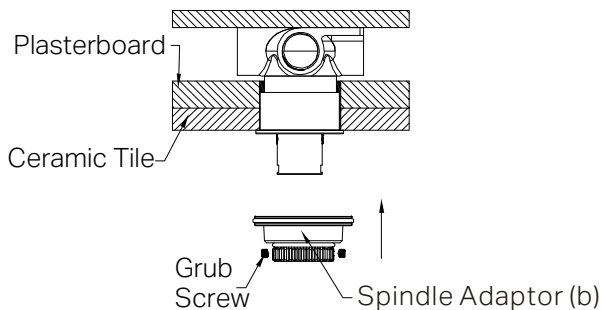
2. Remove the protective sleeve.



4. Adjust the spindle adaptor (a) to the optimal length, ensuring a distance of 24-27 mm from the tile surface, as shown in the diagram.

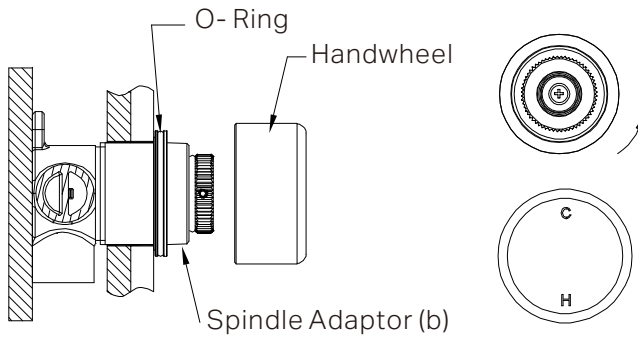
5. Loosen the grub screws to make the adjustment.

Install the wall plate securely onto the mixer body.



6. Use silicone sealant to seal the gap between the tile, water outlet, and wall plate.

7. Attach the spindle adaptor (b) to the spindle adaptor (a) and tighten the grub screws firmly to secure it.



8. Apply lubrication evenly to the O-Ring. Refer to the diagram to identify the correct O-Ring position. Ensure the O-Ring is well-lubricated to prevent damage during installation.

For Metal Handwheel:

Rotate the spindle adaptor (b) counterclockwise to its fully closed position. Refer to the diagram for clarification.

For Marble Handwheel:

No adjustment to the spindle adaptor (b) is necessary.

Align the Handwheel with the spindle adaptor (b):

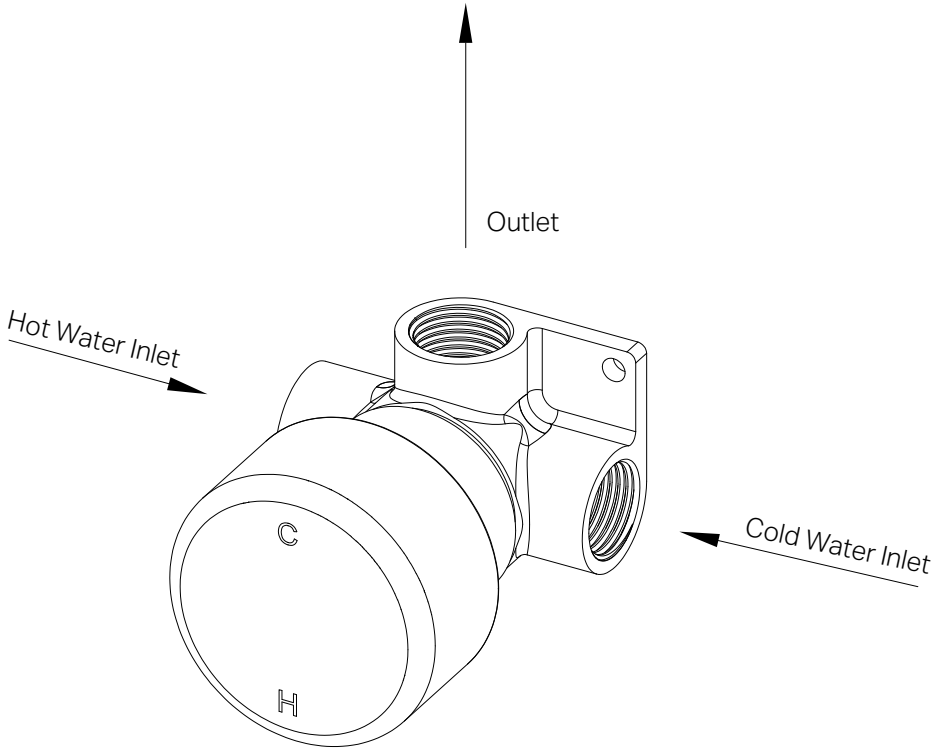
Ensure the spline on the underside of the handwheel align perfectly with the gears on the spindle adaptor (b), as shown in the above diagram. This alignment is crucial for proper functionality.

Secure the Handwheel:

Once aligned, press the handwheel down firmly onto the spindle adaptor (b).

Tip:

For metal handwheels, ensure the handwheel installed as shown in above on the diagram.



9. Turn on the drainage system and water supply, and inspect all connections for any signs of leakage.

Note: If you bought marble handwheel product, there are no hot/cold markings are applied to the handwheel.

Nero



Warranty Policy