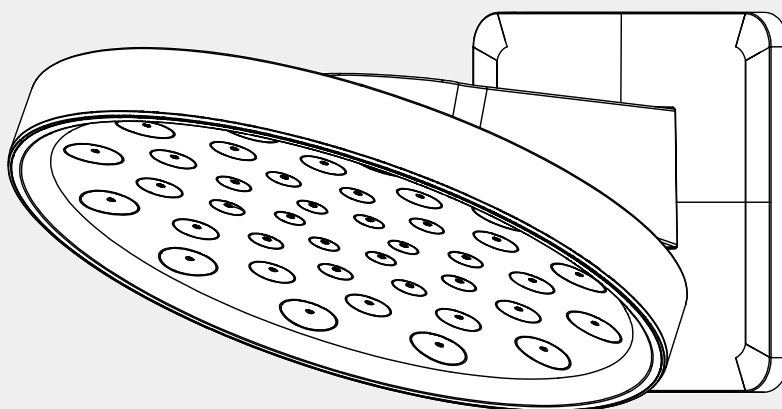


Serenity Wall Shower Head

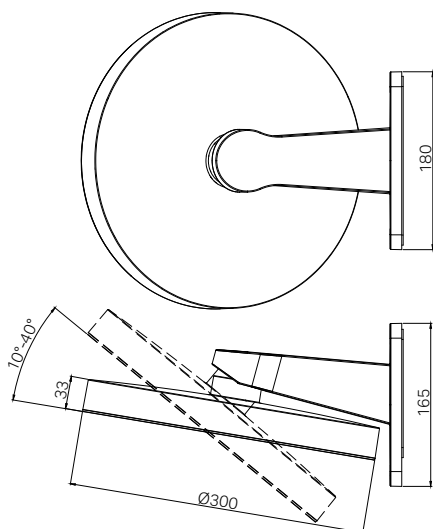
Nero



Versions:202510



Drawing



Specifications

Watermark License

WM-060093

Temperature Rating

Min 1°C-Max 75°C







Pressure Rating

Min 150kpa - Max 500kpa

Packaging Includes

1x Shower Head
1x Shower Arm
1x Backplate
1x Installation Kit

Finish & SKU

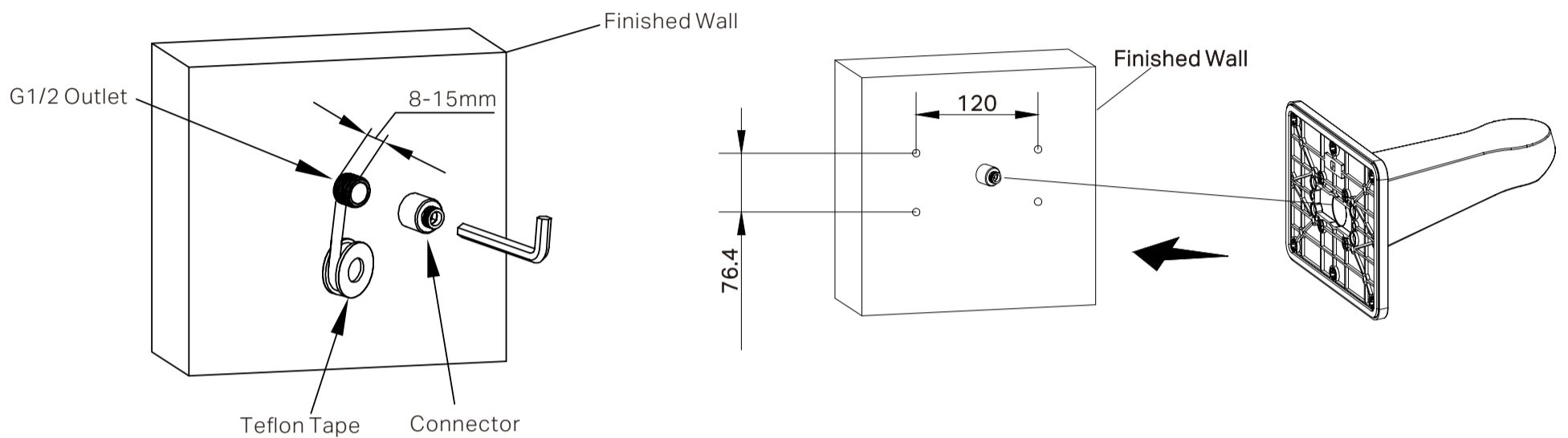
 Chrome 24D002CH	 Gun Metal 24D002GM	 Brushed Bronze 24D002BZ
 Matte Black 24D002MB	 Brushed Gold 24D002BG	 Brushed Nickel 24D002BN

*Dimensions are nominal measurements only.

Installation Instruction

GENERAL INSTRUCTIONS:

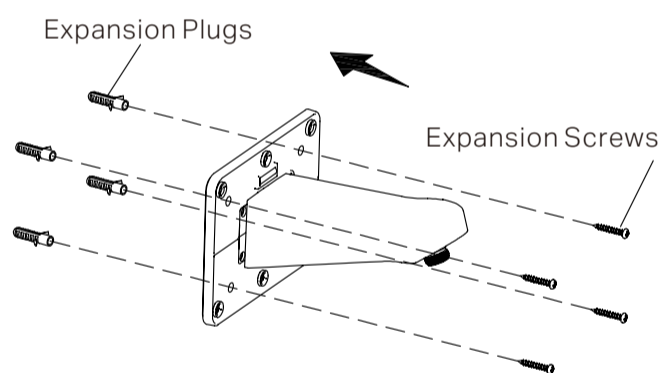
- This product must be installed by a licensed plumber. Ensure that your plumbing installation conforms to the Australian/New Zealand Standard AS/NZS 3500.
- All pipework must be thoroughly flushed prior to the installation of the shower. In-line filters must be fitted on both hot and cold supplies to prevent foreign particles from damaging the shower components.
- Ensure that all outlets used for personal hygiene deliver water at a safe temperature in accordance with regional regulations.
- Verify that the water pressure is within the recommended range for the shower to function properly.



1. Ensure that the G1/2 outlet thread is at the correct length, trim the outlet if necessary to achieve the desired fit. The recommended height for the water inlet is in between 1920- 2020 from the finished floor surface. Wrap the G1/2 water outlet connection with Teflon tape to create a watertight seal.

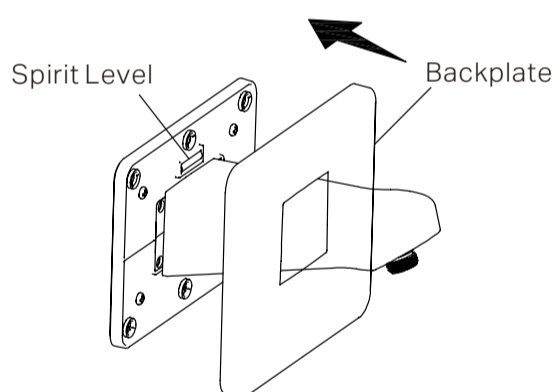
Screw the connector into the G1/2 outlet and tighten it with an Allen key.

2. Position the shower arm and mark the four drilling points using a marker. refer to the picture above.

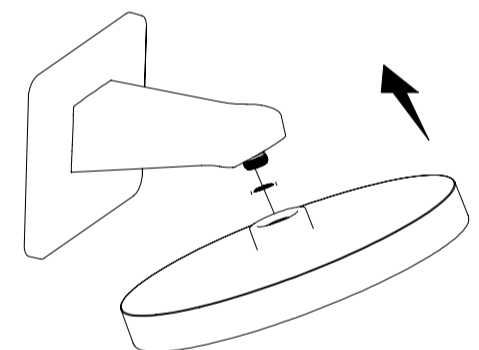


3. Drill four holes with a Ø6 mm drill bit to a depth of 45 mm. Insert the supplied expansion plugs into the holes.

Align the bottom of the shower arm with the connector and secure it.



4. Ensure the shower arm is horizontally level using a spirit level, and push the backplate onto the fixing bracket to cover it.



5. Attach the shower head to the shower arm, ensuring the washer is in place.

Note: The head shower is rotatable, with a rotation angle of 10 to 40 degrees. Turn on the drainage system and water supply, and inspect all connections for any signs of leakage.

MAINTENANCE AND CARE:

- Regularly check the shower system and all connections for signs of wear or leaks.
- Clean all shower components with mild soapy water to maintain their appearance, avoiding harsh chemicals and abrasive materials that may damage the finish.
- Descale the showerhead, hand shower, and other components periodically to prevent mineral buildup, which can affect water flow and performance.
- Inspect and replace any worn-out parts, such as seals or washers, to ensure the longevity and efficiency of the shower system.
- Ensure all moving parts, such as adjustable brackets or sliding rails, are functioning smoothly and are properly lubricated if necessary.

FINAL INSPECTION:

- Ensure the shower operates smoothly and that there are no leaks at the connections.
- Verify that the water temperature and flow are consistent and as desired.
- Clean the area and the newly installed shower with a soft cloth to remove any installation residues.

Nero

