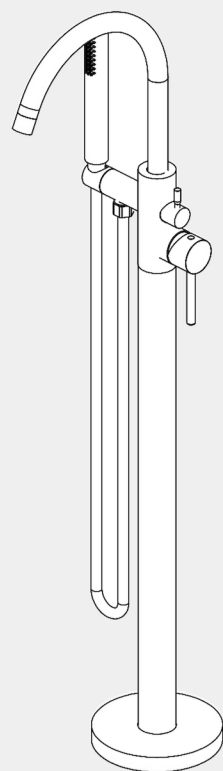


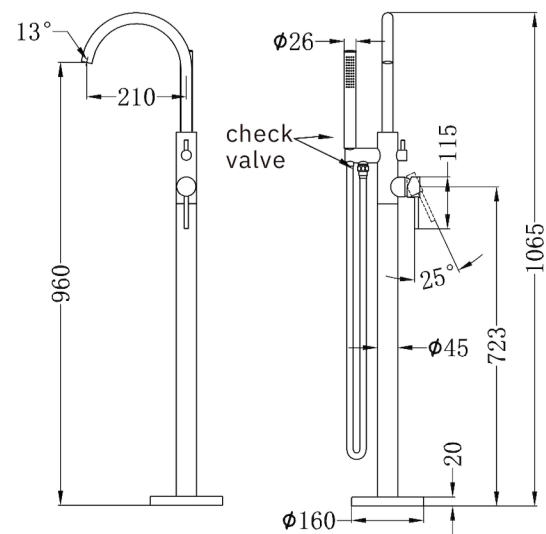
# Round Freestanding Mixer With Hand Shower

two rooms.



Versions:202311

## Drawing



## Specifications

SKU  
NR210903a  
**Watermark License**  
WM-060073  
**Temperature Rating**  
Min 1°C-Max 75°C  
**Pressure Rating**  
Min 150kpa - Max 500kpa

## Packaging Includes

1x Hand Shower ( Built- In Check Valve) 1x Shower Hose  
1x Mixer Tap  
1x Extension Tube  
1x Floor Cover Plate  
2x Water Pipes  
1x Mixer Box  
1x Gloves  
4x Dynabolt  
1x Instruction  
1x Allen Key Pack  
1x Leveling Plate  
1x Gradiometer  
1x Testing Plugs

## Finish

 <b>Chrome</b> NR210903aCH	 <b>Gun Metal</b> NR210903aGM	 <b>Brushed Bronze</b> NR210903aBZ	 <b>Graphite</b> NR210903aGR
 <b>Matte Black</b> NR210903aMB	 <b>Brushed Gold</b> NR210903aBG	 <b>Matte White</b> NR210903aMW	 <b>Brushed Nickel</b> NR210903aBN

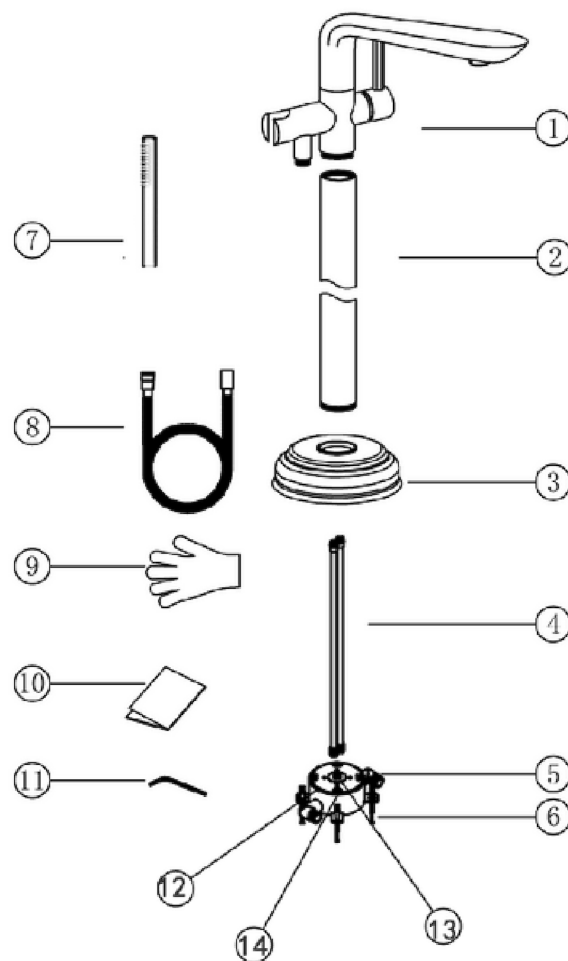
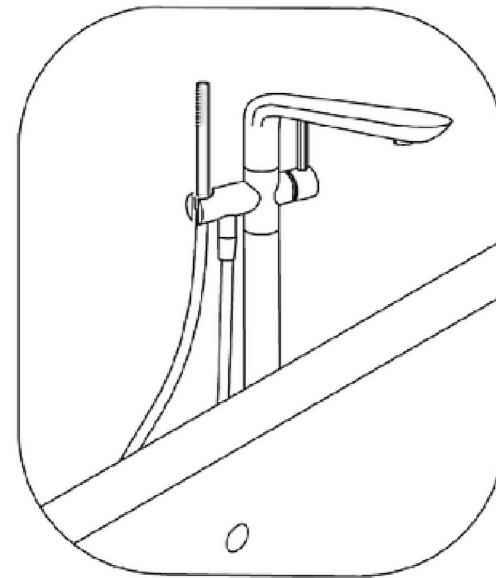
\*Dimensions are nominal measurements only.

# Installation Instruction

Please inspection all spare parts list when you open box, if any problem, please contract with seller. Spare parts list as follow.

## Part List

- 1.Mixer Tap x1pc
- 2.Extension Tube x1pc
- 3.Floor Cover Plate x1pc
- 4.Water Pipes x2pcs
- 5 Mixer Box x1pc
- 6.Dynabolt x4pcs
- 7.Hand Shower x1pc
- 8.PVC Shower Hose x1pc
- 9.Gloves x1pc
- 10.Instruction x1pc
- 11.Allen Key Pack x1pc
- 12.Leveling Plate x1pc
- 13.Gradiometer x1pc
- 14.Testing Plugs x2pcs



<p>Notice: Not recommend to be installed on concrete slab</p>	<p>1.Mixer box should not finish more than 2mm above finish tile level</p>	<p>2.Connect hot and cold water use materials recommended Australian standard</p>
<p>3.Adjust mixer box make sure in a level by gradiometer provided</p>	<p>4.Test and check for water leaks</p>	<p>5.Undo 4 grub screws on the leveling plate and take out the gradiometer and testing plug.</p>
<p>6.Attach the leveling plate onto the extension tube by provided grub screws</p>	<p>7.Screw hot and cold water pipes into the mixer body</p>	<p>8.Fit floor cover plate onto the extension tube body</p>
<p>9.Screw the extension tube onto the mixer, and fix hot and cold water pipers into mixer box by M5 grub screws provided</p>	<p>10.Connect hand shower rose with PVC hose</p>	<p>11.Flush pipes work and test, check for water leaks</p>