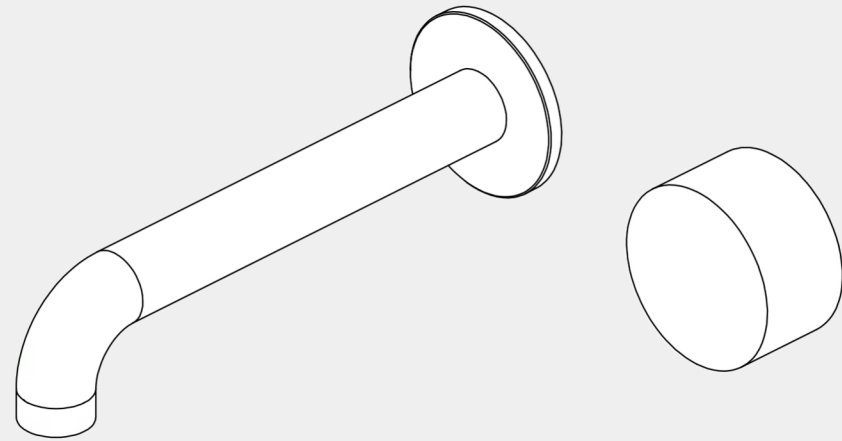


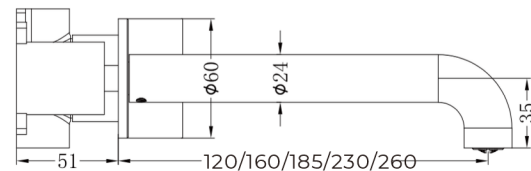
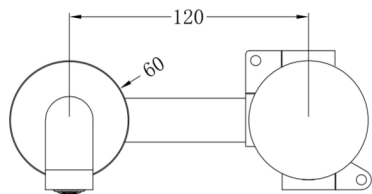
Progressive Wall Basin/Bath Set

two
rooms.



Versions:202311

Drawing









Specifications

SKU
TR271907a
Watermark License
WM-060073
Temperature Rating
Min 1°C-Max 75°C
Pressure Rating
Min 150kpa - Max 500kpa

Packaging Includes

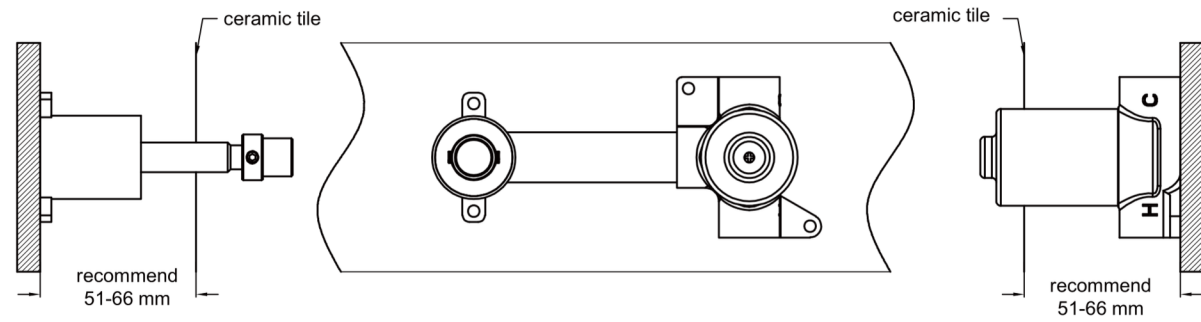
1x spout
1x plate
1x hand wheel
1x body
1x install kits

Finish

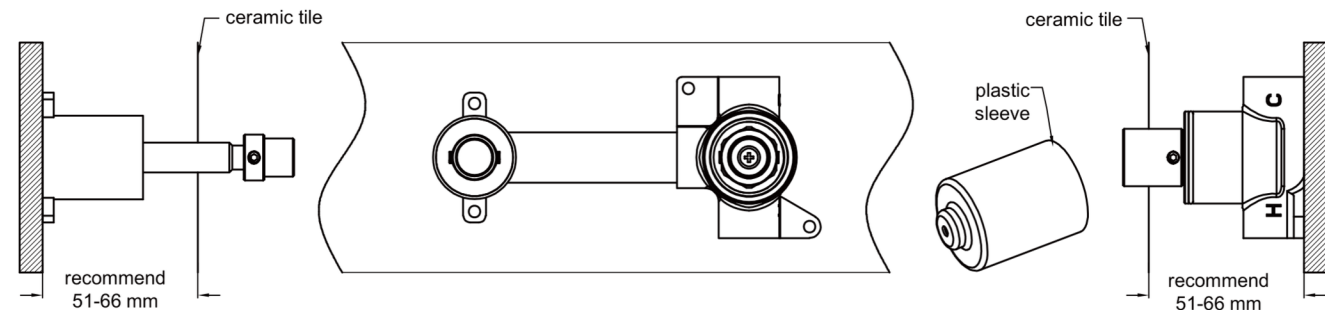
 Chrome TR271907a(120/160/185/230/260)CH	 Gun Metal TR271907a(120/160/185/230/260)GM
 Matte Black TR271907a(120/160/185/230/260)MB	 Brushed Gold TR271907a(120/160/185/230/260)BG
 Brushed Bronze TR271907a(120/160/185/230/260)BZ	 Brushed Nickel TR271907a(120/160/185/230/260)BN

*Dimensions are nominal measurements only.

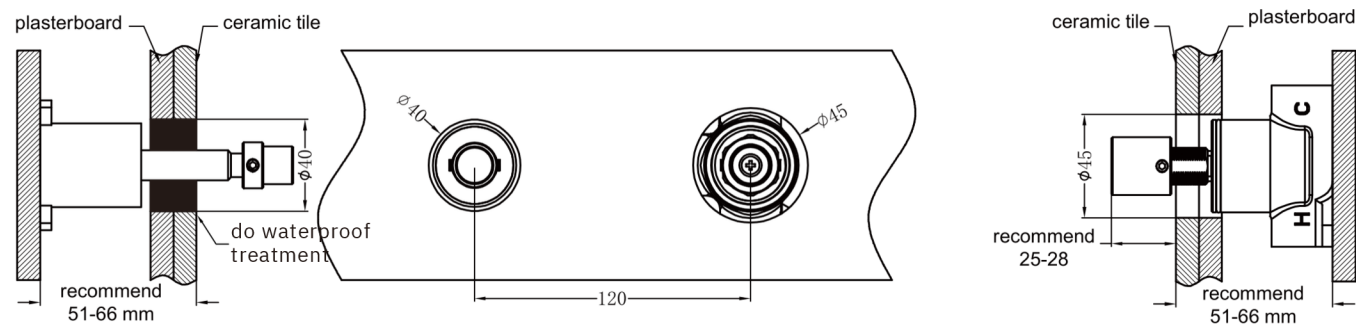
Installation Instruction For Body Only



1. Fix body on nogging and ensure installation depth is 51-66mm from nogging to ceramic tile.

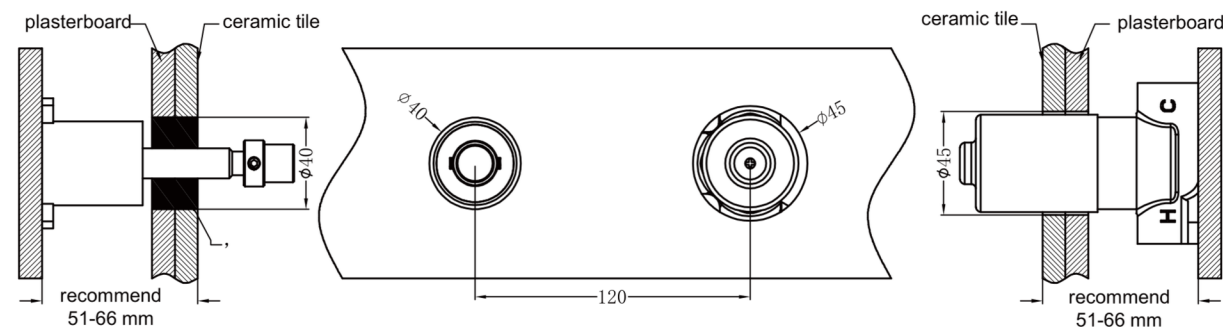


2. Connect cold water hose and hot water hose, take off plastic sleeve and conduct water pressure test for leak.



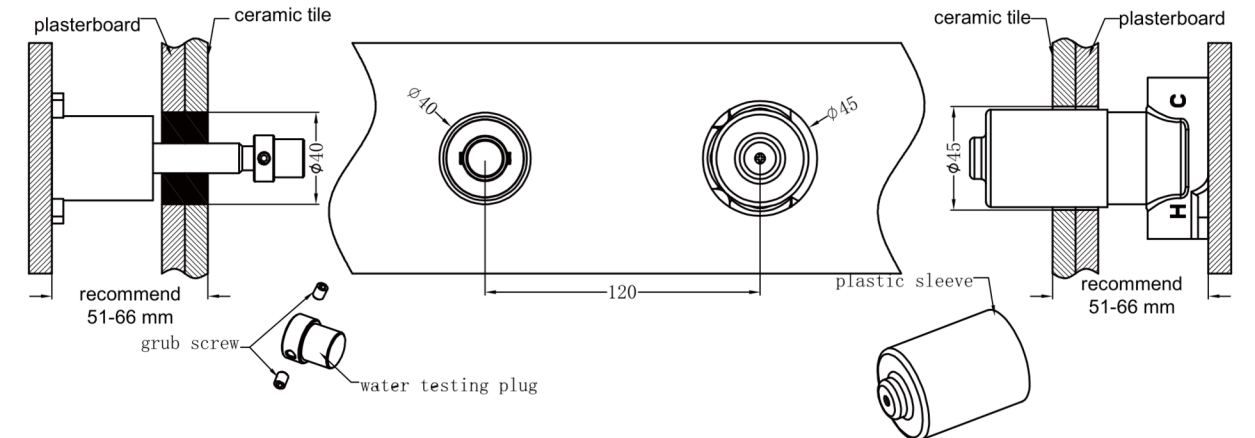
3. Adjust connecting rod and ensure depth is 25-28mm from the front of adaptor to ceramic tile.

Drill a $\phi 45$ and a $\phi 40$ holes on plasterboard and ceramic tile for the body, according to above picture. Then install plasterboard and do waterproof for the whole plasterboard. Install ceramic tile and do waterproof for the gap between spout outlet and plasterboard and ceramic tile.

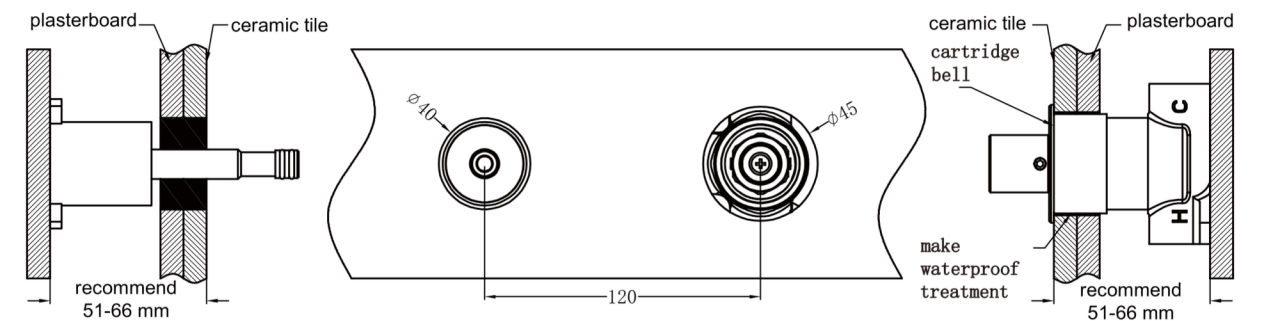


4. Install plastic sleeve back to the body.

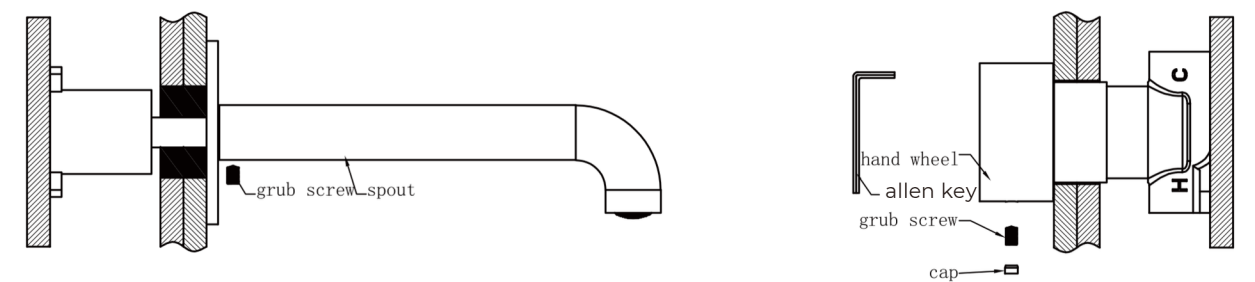
Installation Instruction For Trim Kits Only



1. Remove plastic sleeve, grub screw and water testing plug.



2. Put cartridge bell onto body and do waterproof treatment for the gap between cartridge bell and plasterboard and ceramic tile.



3. Put plate, washer and spout onto body successively, tighten grub screw of spout firmly by allen key.

4. Make hand wheel into connecting rod, turn the hand wheel counterclockwise to the end. Then reinstall the hand wheel, make the "C" should be on twelve o'clock direction and "H" on the six o'clock direction, according to above picture. Then tighten grub screw of hand wheel by allen key, put cap into hand wheel.

