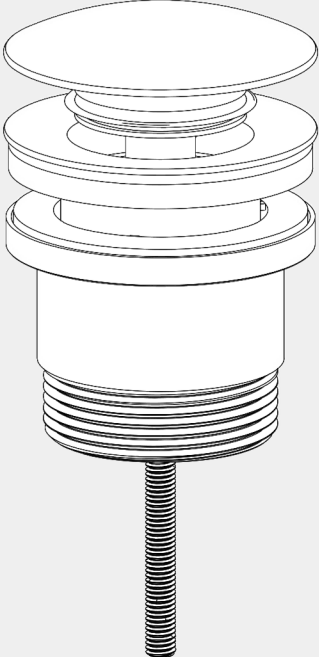
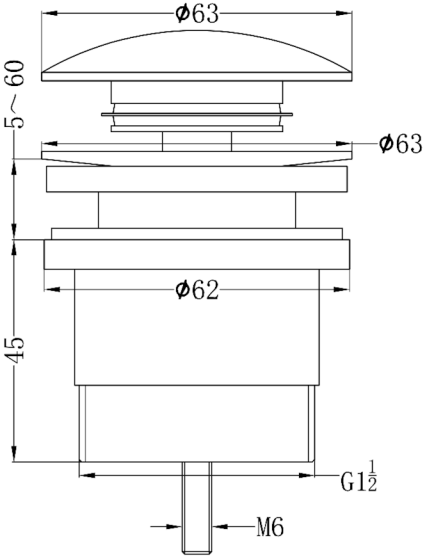


Universal Pop Up Waste



Versions:202311

Drawing



Specifications

SKU
NRA706
Watermark License
WMK26021

Packaging Includes

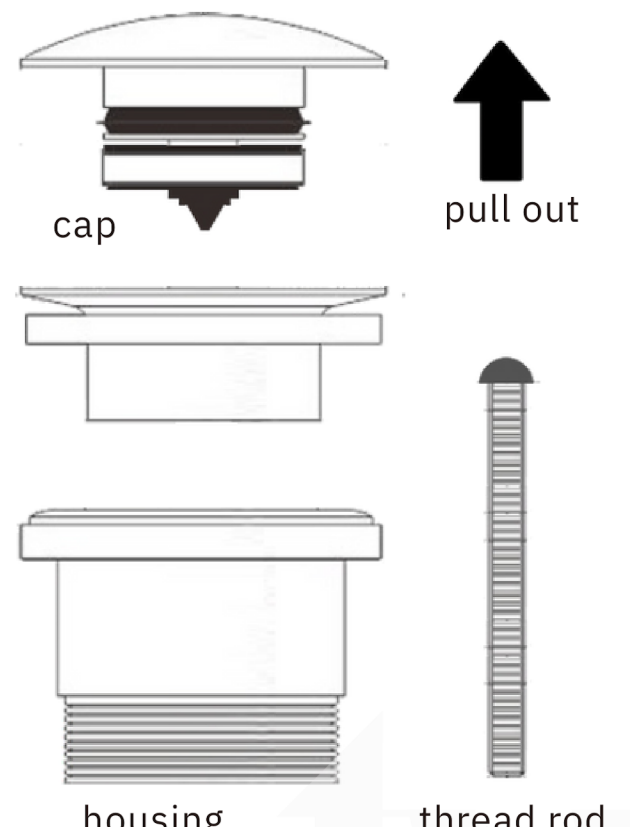
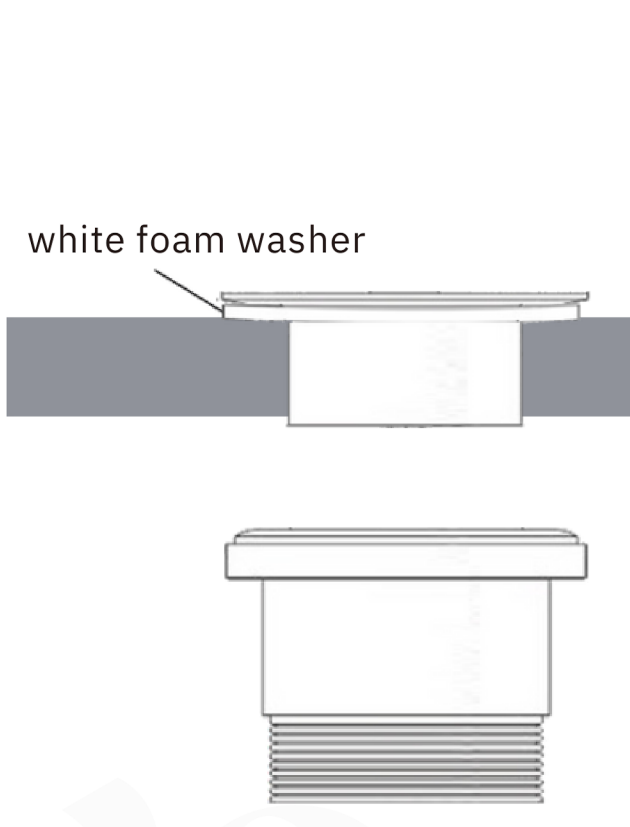
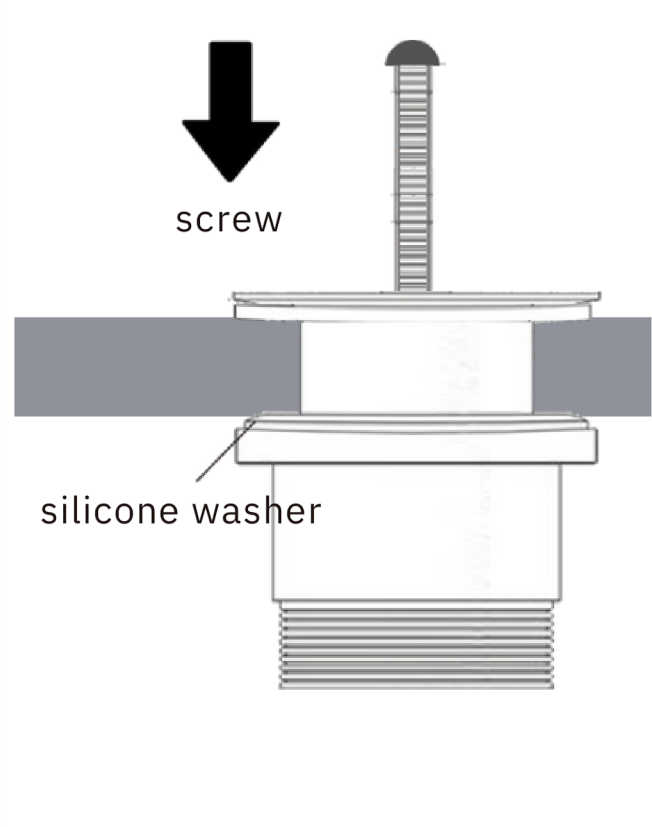
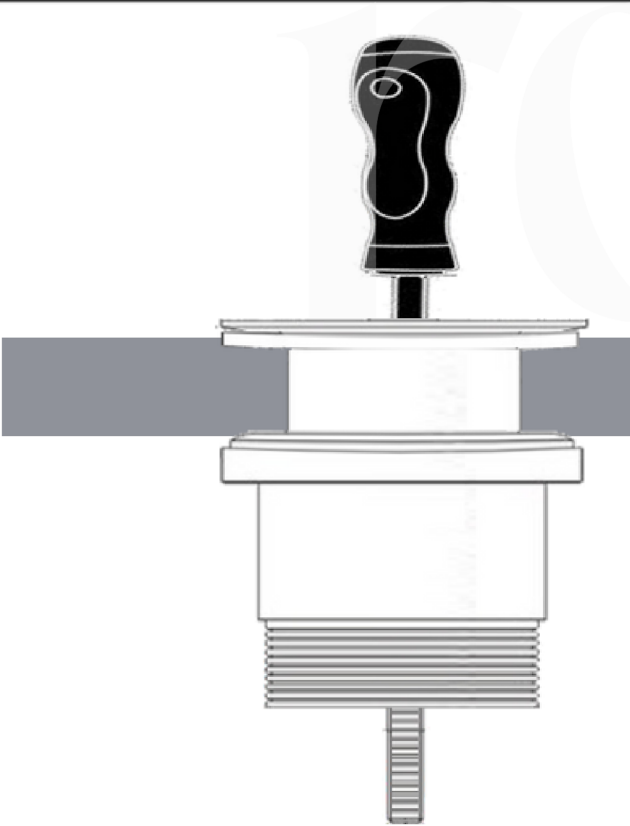
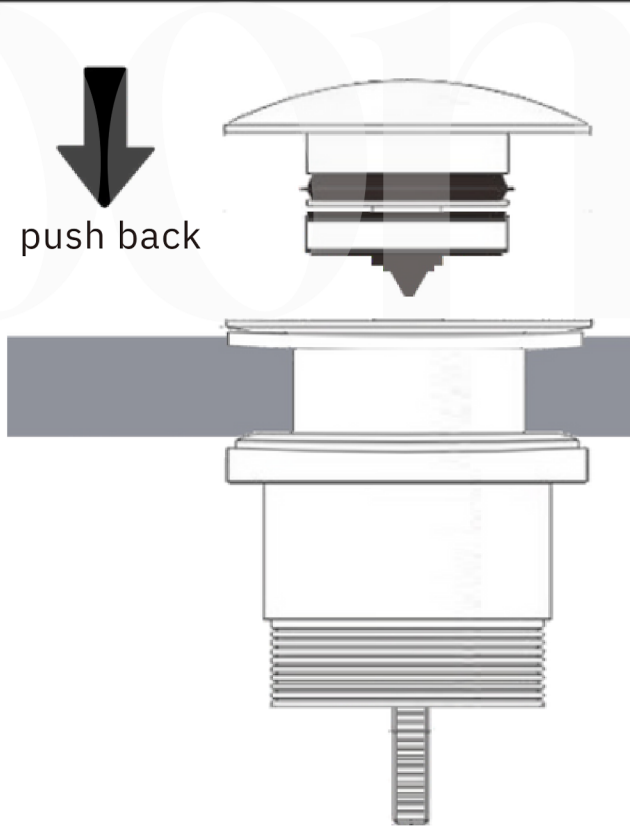
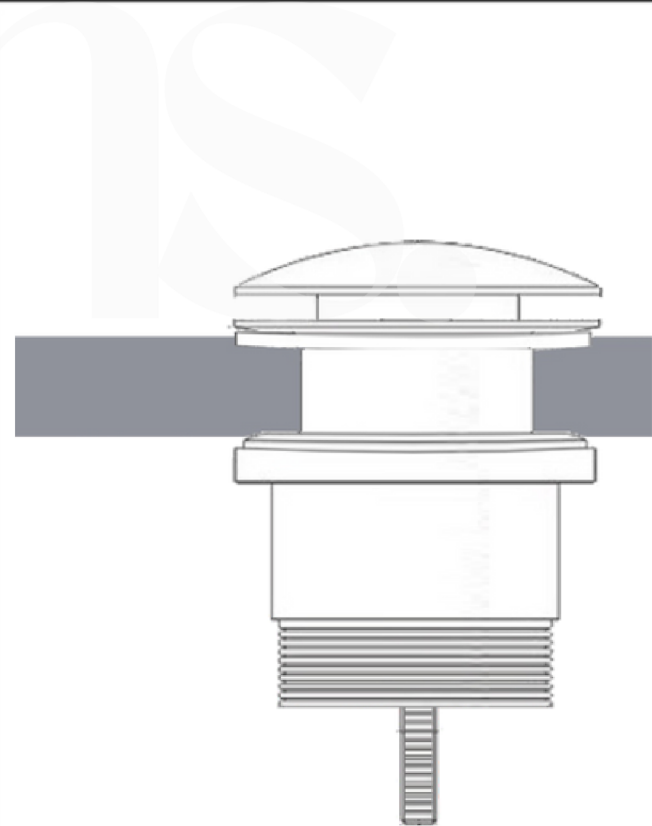
1x pop up waste

Finish

- | | | | |
|--------------------------------|---------------------------------|-----------------------------------|-----------------------------------|
| Chrome
NRA706CH | Gun Metal
NRA706GM | Brushed Bronze
NRA706BZ | Graphite
NRA706GR |
| Matte Black
NRA706MB | Brushed Gold
NRA706BG | Matte White
NRA706MW | Brushed Nickel
NRA706BN |
| Aged Brass
NRA706AB | | | |

*Dimensions are nominal measurements only.

Installation Instruction

 <p>1. Disassemble pop-up waste by pulling out the cap and unscrewing the housing from the thread rod.</p>	 <p>2. Put waste through in basin hole and make white foam washer fitted to upper side of the basin.</p>	 <p>3. Put the housing covering on basin hole at bottom side. Screw thread rod through waste and housing in a row.</p>
 <p>4. Tighten up the thread rod by screw driver.</p>	 <p>5. Push back the cap.</p>	 <p>6. Finish, and check for leaks.</p>