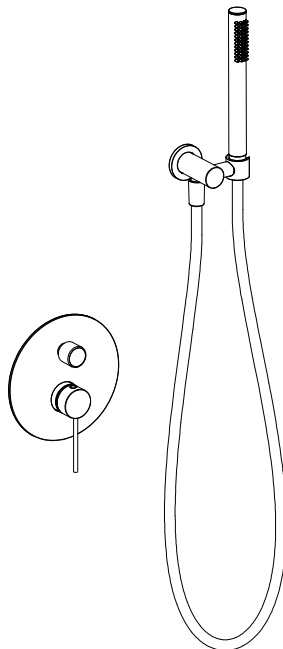
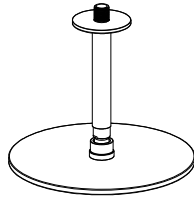


# INSTALLATION INSTRUCTIONS

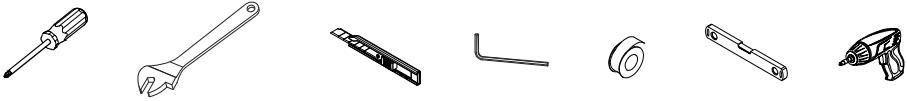
## Wall Concealed Shower System



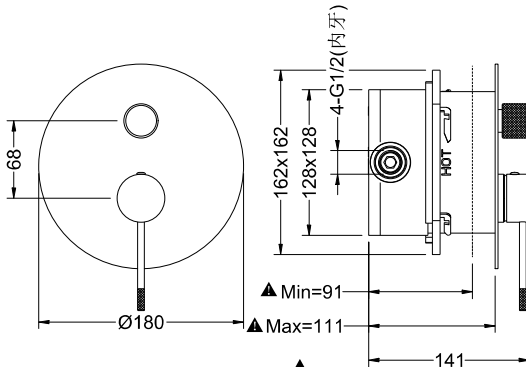
## Before Installation

- We recommend that this product is installed by a qualified professional plumber / contractor.
- Please check this product immediately to ensure that it has not been damaged and is complete. Before installation, please make sure this product is the correct model and you have all the parts required for installation and using.
- Please flush the water system to ensure that no metal swarf, solder, and other impurities can enter the taps.
- Turn on water supply before commencing work, this should be done at the isolating valves of inlet feeds if fitted or main stopcock.
- Please read these instructions carefully and keep it for future reference.

### Recommend Tools

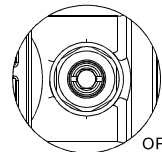
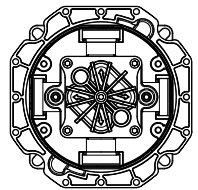


### Dimensions

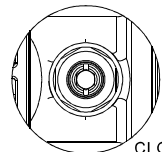


**Ensure that the distance from the bottom of the embedded box to the wall is between this size**

### Switch regulation

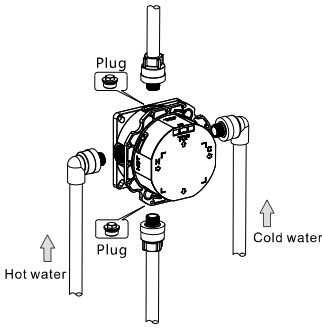
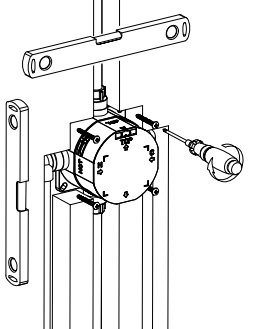
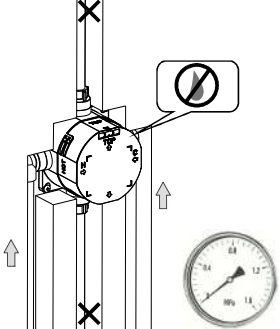


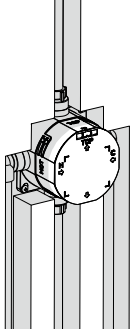
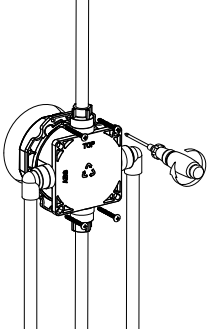
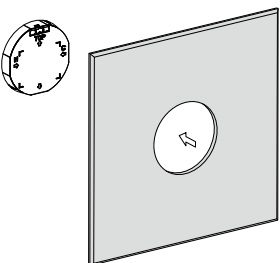
OPEN

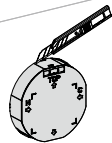
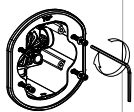



CLOSE

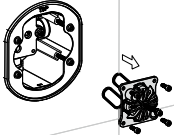
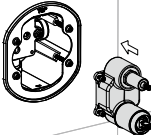
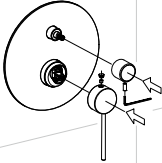
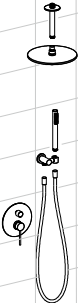
Open: Built-in service stops Horizontal  
Close: Built-in service stops Vertical

 <p>Hot water ↑ Plug ↑ Cold water ↑</p>		
<p>1. Connect the pipe to the water port, Left (H) for hot water and right (C) for cold water, top and bottom for mixed water. Plug the bottom or top mixed water outlet with the block if it's not required to use (single way valve).</p>	<p>2-1. Get the wall cut accordingly to the instruction, check the horizontality and verticality of the valve box, adjust if necessary. Then Fix the valve box onto the wall.</p>	<p>2-2. Plug the top and bottom water outlet with plug, apply a 30min water leakage test under water pressure 10-12 Bar. Make sure there is no leakage.</p>

		
<p>2-3. Use Cement or other materials cover the wall and Valve box.</p>	<p>2-4. Get the hollow wall cut, and Install the box and valve from the back of hollow wall, then fix the screws.</p>	<p>3. Put on the tiles or other materials, Make sure surface are even and flat.</p>

		
<p>4. Cut the plaster shield and make sure the valve box is at the same level of the finished wall.</p>	<p>5. Install the fixing plate. (For the valve with 3mm trim plates no need to install this)</p>	<p>6. Open the built-in service stop and flush the pipe.</p>

# Installation

			
<p>7. Close the built-in service stop, Take off the antidust cover and sealing block</p>	<p>8. Fix the mixer body to the corresponding connector, make sure the 4 sealing washers at the back of the mixer body are complete and not loosened.</p>	<p>9. Install the trim plates, valve handles and diverter handles accordingly</p>	<p>10. Install the shower arm and shower bracket to the corresponding pipe interface, connect the head-shower, hand-shower and shower hose</p>

## Before Use

For best results:

- Before use: Unscrew the Aerator and allow the water to run freely for 5 minutes. Then screw the filter back in place.
- Periodically: Unscrew the Aerator and remove. Rinse it with running water until any loose debris is cleared. Then replace the Aerator and tighten.
- Our Kitchen and bathroom products are made of solid brass to comply with the needs of the market with regard to design and functionality. To avoid damage to the product, it is necessary to take proper care of it.
- Prevent the buildup of mineral scale and /or soap residue by cleaning your products when needed. Select a cleaning agent specifically intended for the type of product.
- Do not use these types of cleaners as they will cause damage to your product: Any cleaning agent containing hydrochloric acid, formic acid or acetic acid; Abrasive cleaning powders, pads or brushes; steam cleaners.
- Do not spray cleaners directly onto the products as drops could enter openings and gaps and cause damage. When using spray cleaners, spray the cleaner onto a soft cloth or sponge. Always rinse your products thoroughly with clear water and polish dry with a soft cloth after cleaning.

Important:

- Residue from soaps and shampoos can cause damage, Rinse the product with clean water after each use.
- Damage to the product caused by improper care or the use of improper cleaning agent is not covered by the warranty.