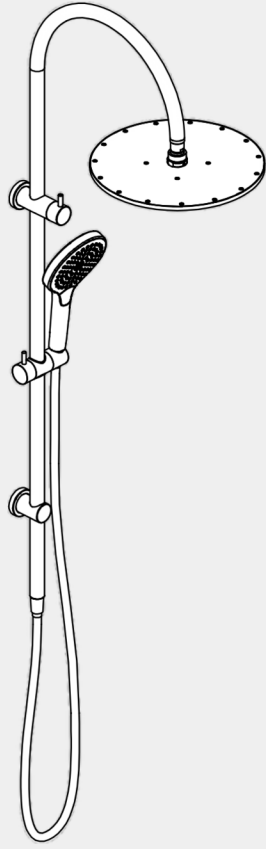


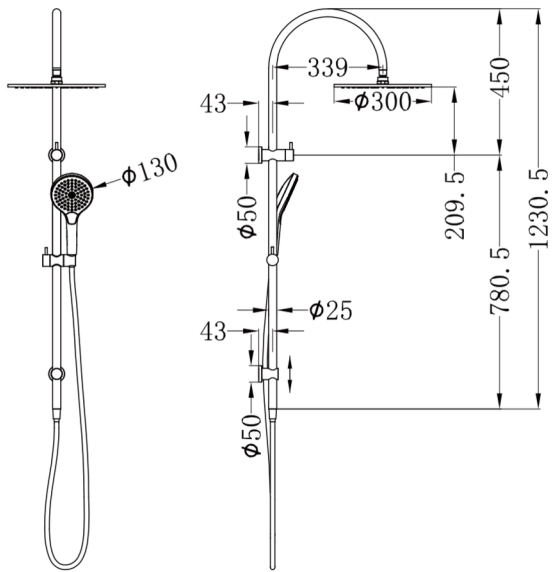
Twin Shower With Air Shower II

two rooms.



Versions:202401

Drawing



Specifications

Watermark License

WM-060093

Temperature Rating

Min 1°C-Max 75°C

Pressure Rating

Min 150kpa - Max 500kpa

Finish & SKU

Chrome
TR221905hCH

Gun Metal
TR221905hGM

Brushed Bronze
TR221905hBZ

Brushed Nickel
TR221905hBN

Matte Black
TR221905hMB

Brushed Gold
TR221905hBG

Matte White
TR221905hMW

Packaging Includes

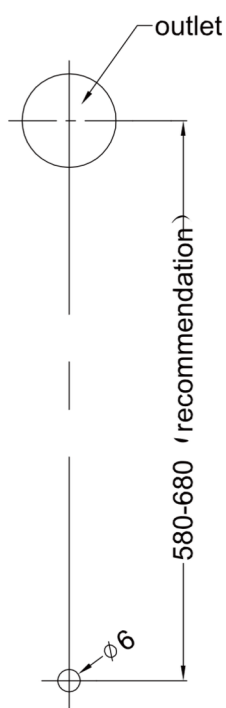
- 1x Hand Shower (Built-in Check Valve)
- 1x 1.5m PVC Hose
- 1x Shower Rail
- 1x Shower Head

*Dimensions are nominal measurements only.

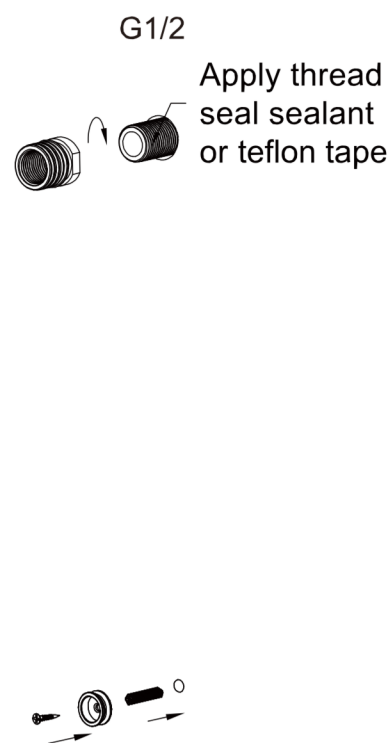
Important

All products must be installed by licensed plumbers.

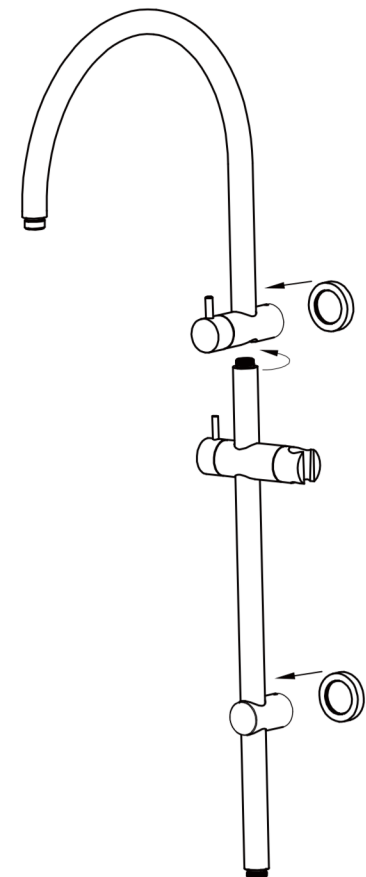
All pipework must be thoroughly flushed prior to installation, as foreign materials may block the flow regulating device and reduce the flow of water.



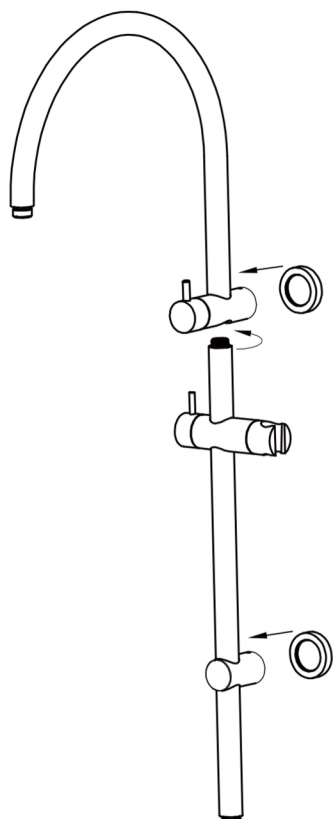
1. Drill a $\phi 6$ mm hole at the downwards outlet vertical downward position in the recommendation range.



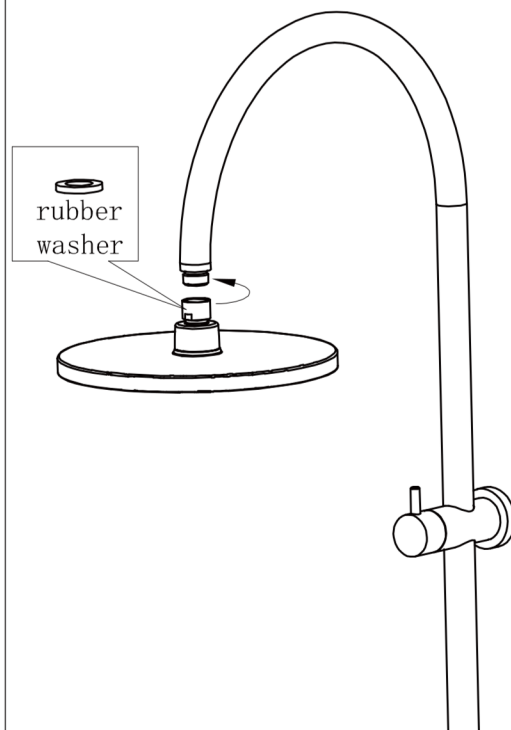
2. Screw the adapter onto the outlet. Push wall plug into drilled hole. Fit lower mounting pillar in place with screw. Tighten firmly.



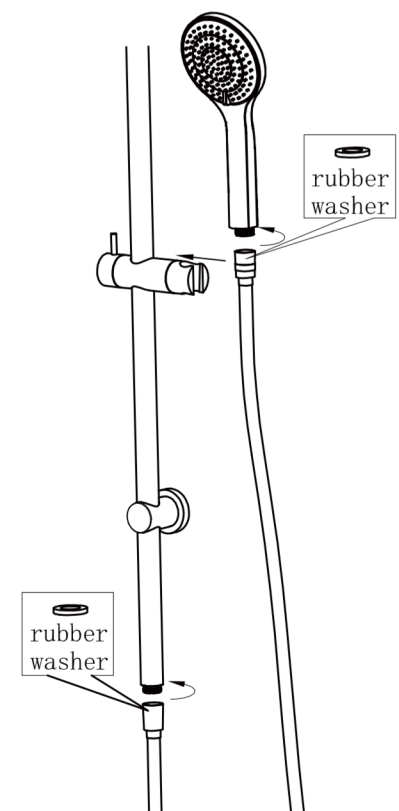
3. Screw shower rail into shower arm component. Tighten firmly. Push 2 back plates onto shower arm component and lower mounting pillar.



4. Locate and push shower rail assembly onto wall adapters. Tighten grub screws firmly with allen key provided. Slide the back plates against the wall/tile face properly.



5. Screw shower head to shower arm with care. (Note the rubber washer in the shower head.)



6. Please noted the rubber washer in the hand shower. Connect shower rail and hand shower with hose. TEST & CHECK FOR LEAKS.