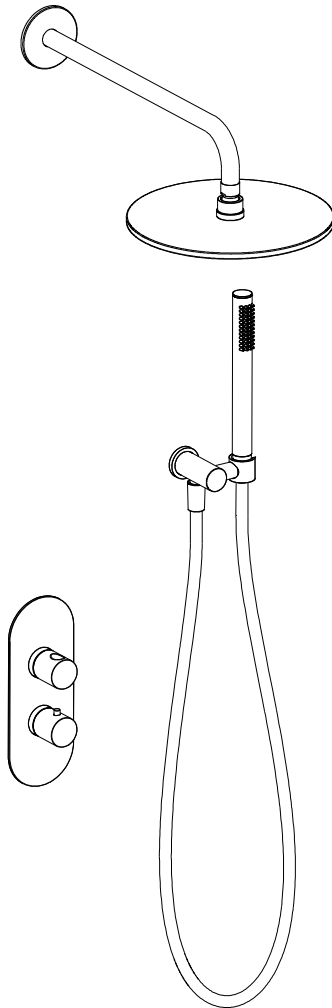


INSTALLATION INSTRUCTIONS

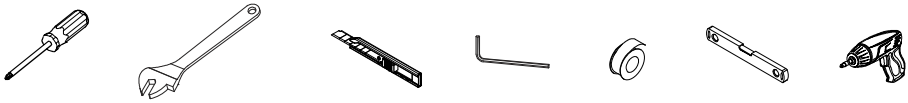
Wall-mounted thermostatic Shower System



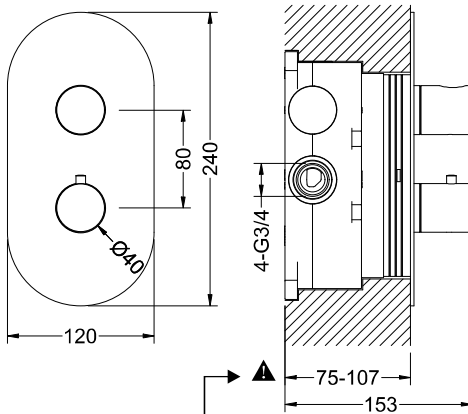
Before Installation

- We recommend that this product is installed by a qualified professional plumber / contractor.
- Please check this product immediately to ensure that it has not been damaged and is complete. Before installation, please make sure this product is the correct model and you have all the parts required for installation and using.
- Please flush the water system to ensure that no metal swarf, solder, and other impurities can enter the taps.
- Turn on water supply before commencing work, this should be done at the isolating valves of inlet feeds if fitted or main stopcock.
- Please read these instructions carefully and keep it for future reference.

Recommend Tools

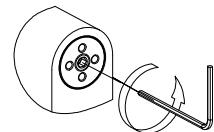
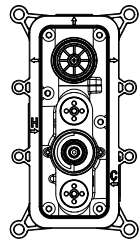


Dimensions

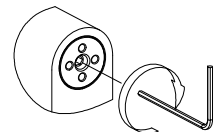


Ensure that the distance from the bottom of the embedded box to the wall is between this size

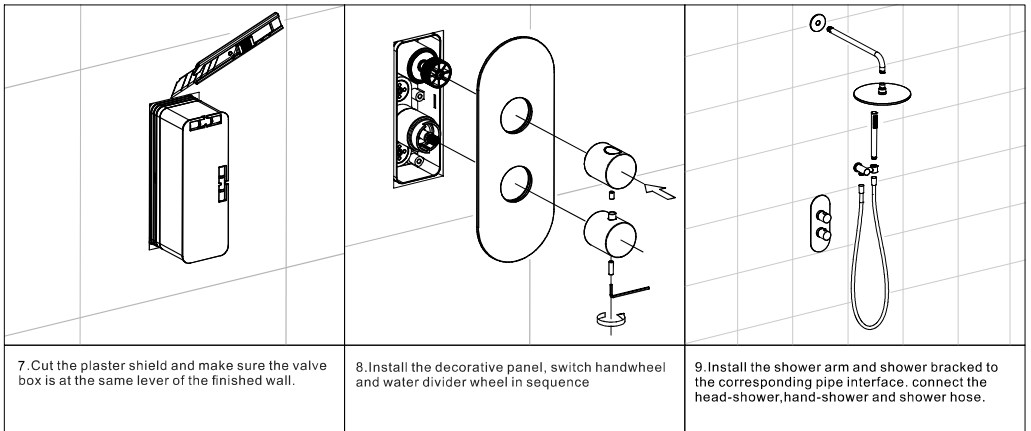
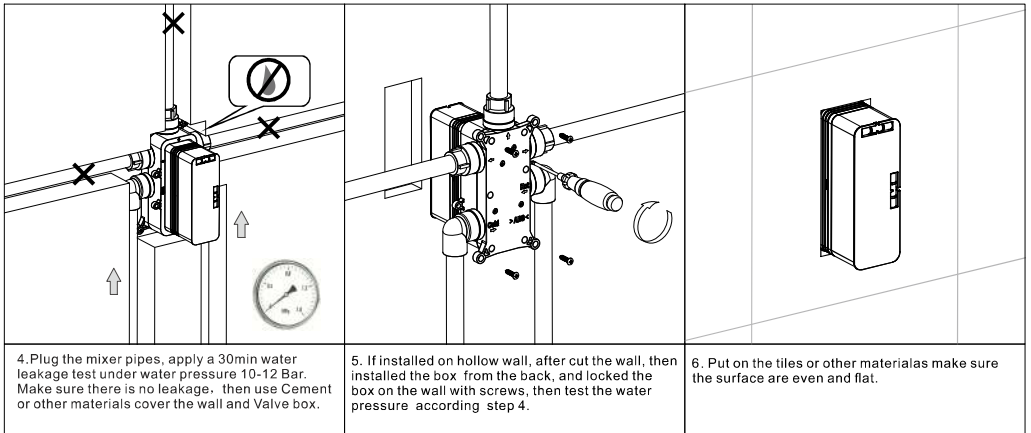
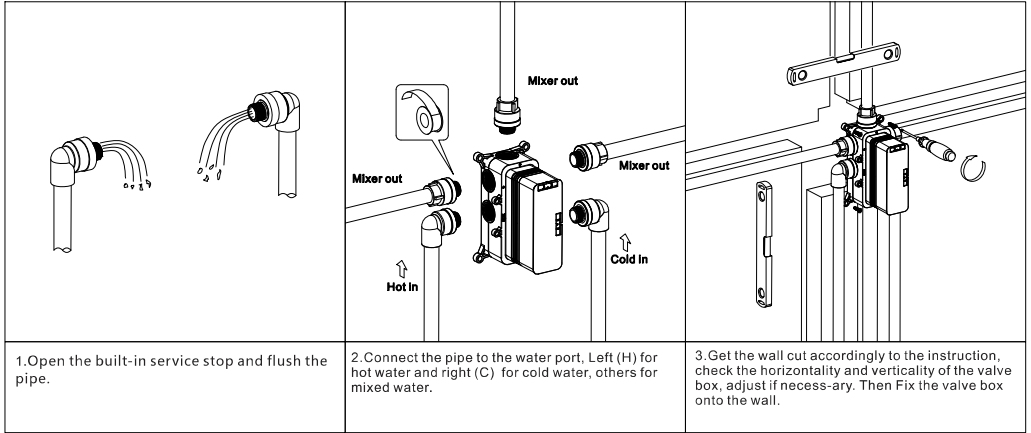
Switch regulation



Counterclockwise-open



Clockwise close



Before Use

For best results:

- Before use: Unscrew the Aerator and allow the water to run freely for 5 minutes. Then screw the filter back in place.
- Periodically: Unscrew the Aerator and remove. Rinse it with running water until any loose debris is cleared. Then replace the Aerator and tighten.
- Our Kitchen and bathroom products are made of solid brass to comply with the needs of the market with regard to design and functionality. To avoid damage to the product, it is necessary to take proper care of it.
- Prevent the buildup of mineral scale and /or soap residue by cleaning your products when needed. Select a cleaning agent specifically intended for the type of product.
- Do not use these types of cleaners as they will cause damage to your product: Any cleaning agent containing hydrochloric acid, formic acid or acetic acid; Abrasive cleaning powders, pads or brushes; steam cleaners.
- Do not spray cleaners directly onto the products as drops could enter openings and gaps and cause damage. When using spray cleaners, spray the cleaner onto a soft cloth or sponge. Always rinse your products thoroughly with clear water and polish dry with a soft cloth after cleaning.

Important:

- Residue from soaps and shampoos can cause damage, Rinse the product with clean water after each use.
- Damage to the product caused by improper care of the use of improper cleaning agent is not covered by the warranty.