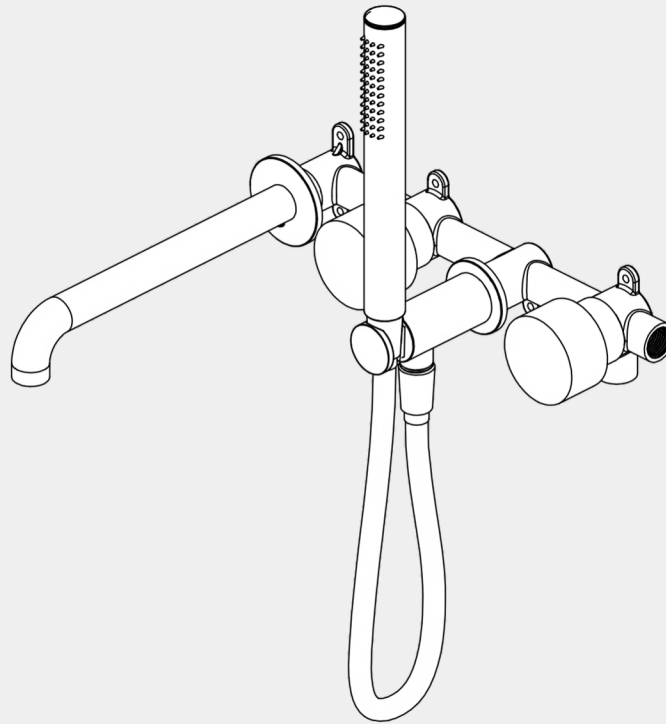


Progressive Bath System

Separate Plate With Spout

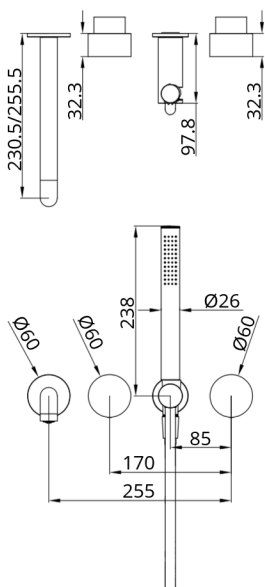
two rooms.



Versions:202401



Drawing



Specifications

Watermark License
WM-060073

Temperature Rating
Min 1 °C-Max 75 °C

Pressure Rating
Min 150kpa - Max 500kpa

Group Item

1x Universal Body
1x Trim Kits Only

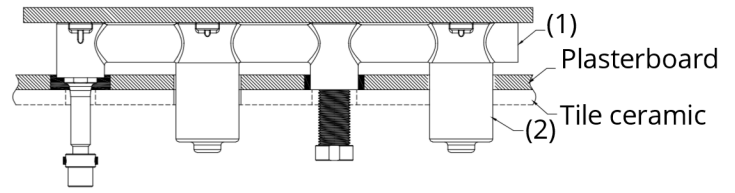
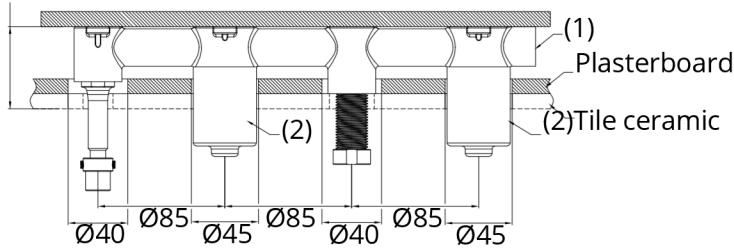
Finish & SKU

- | | | |
|--|---|---|
|  Chrome
TR271903b(230/250)CH |  Gun Metal
TR271903b(230/250)GM |  Brushed Bronze
TR271903b(230/250)BZ |
|  Matte Black
TR271903b(230/250)MB |  Brushed Gold
TR271903b(230/250)BG |  Brushed Nickel
TR271903b(230/250)BN |

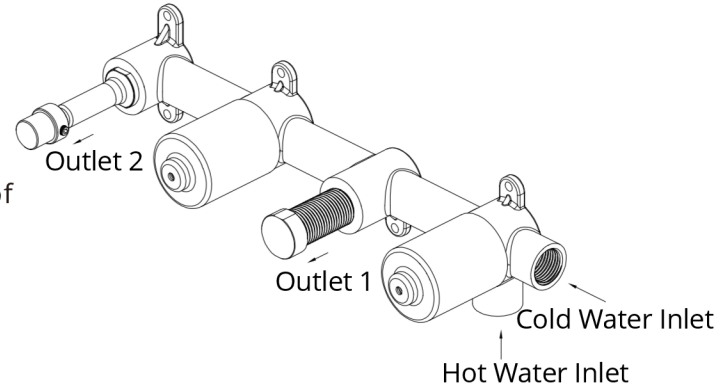
*Dimensions are nominal measurements only.

Installation Instruction For Bath System Body Only

Installation Depth 51-66mm

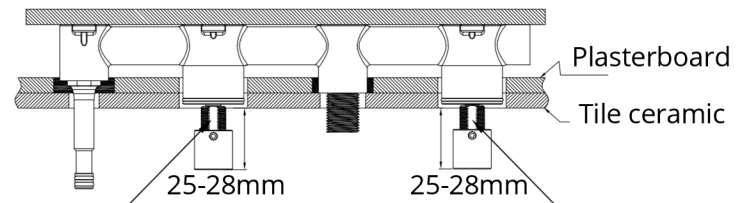
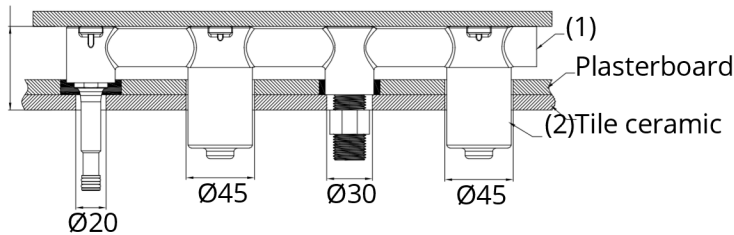


1. Fit off in-wall mixer body into wall structure, and ensure the installation depth is 51-66mm from the tile surface.
2. Connect hot, cold water lines. Test and check for leaks.
3. Install the plasterboard and make holes with diameters of Ø40, Ø45, Ø40, and Ø45.
4. Apply waterproofing between the plasterboard and the mixer body (1) to prevent any potential leaks.
5. The in-wall mixer body installation is complete. Check for leaks.



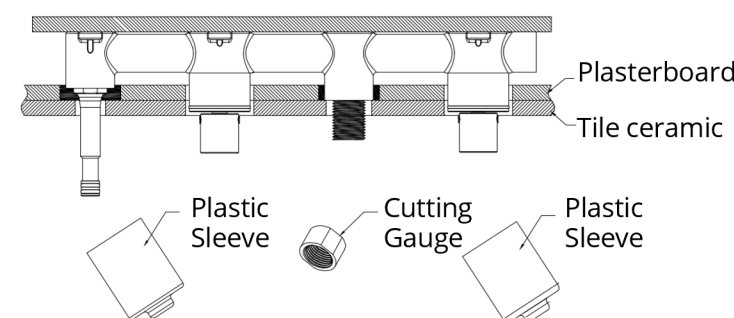
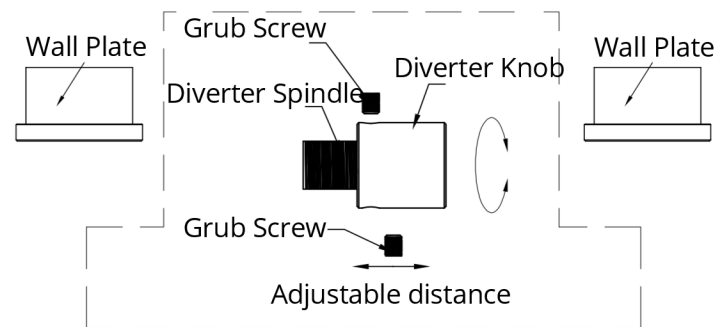
Installation Instruction For Shower System Trim Kits Only

Installation Depth 51-66mm

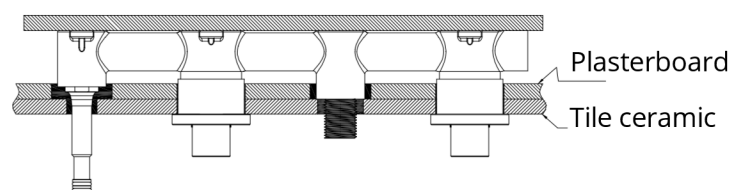


1. Install tiles and drill holes with diameters of Ø20, Ø45, Ø30, Ø45.
2. Remove the pressure test plug.
3. Assemble the cutting gauge onto the mixer body, make it flush with the tile surface, and trim off any excess part after assembly.

The grub screw needs to be tightened onto the surface.

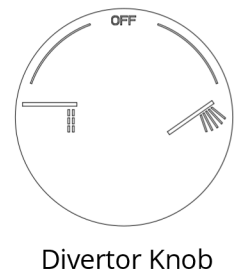
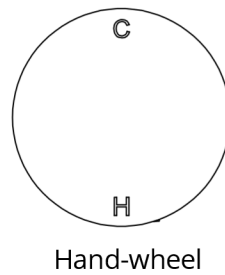
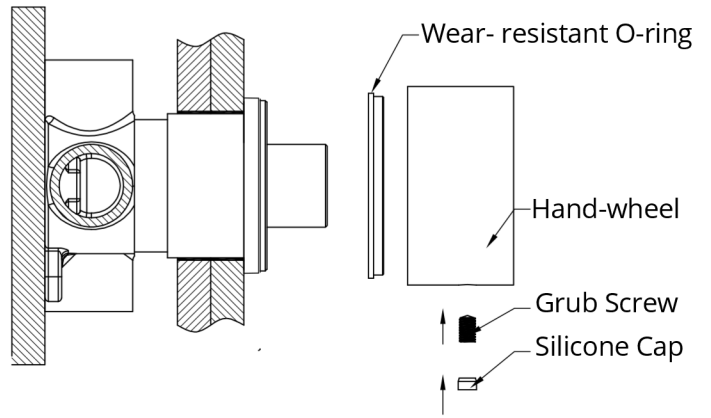
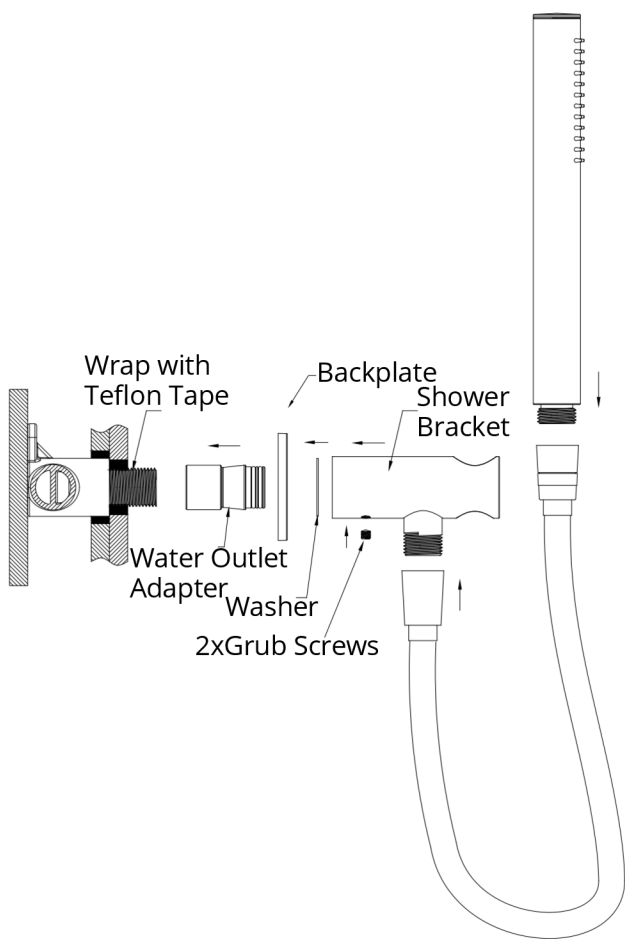


5. Adjust the distance between the Diverter knob and the tile surface to 25-28mm as shown in the diagram.
6. Place the wall plate onto the mixer body.



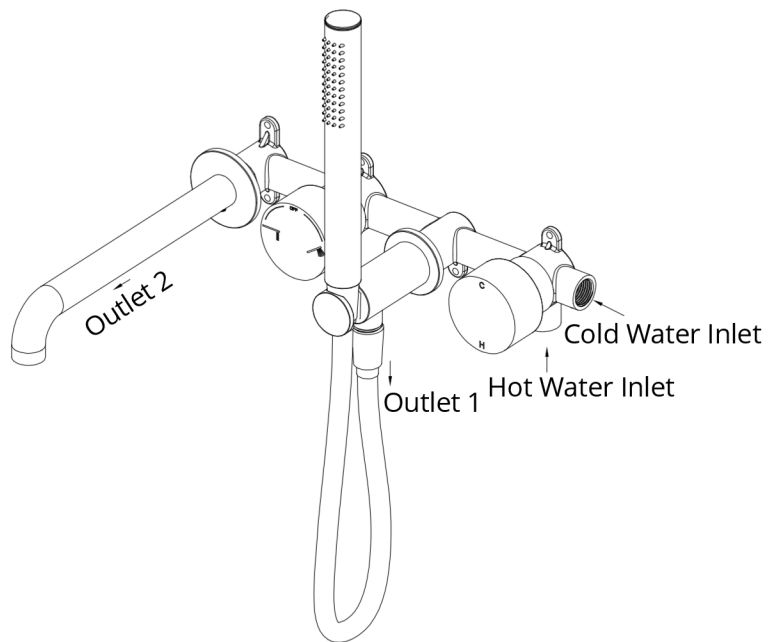
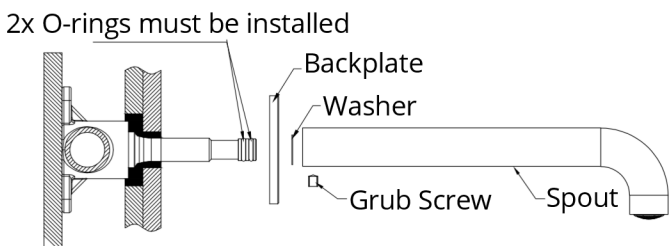
4. Remove the cutting gauge and protective sleeves.

7. Apply waterproofing in the gap between the ceramic tile and the water outlet.



8. Thread the water outlet adapter onto the in-wall body, and seal with Teflon tape.
9. Assemble the Backplate, washer, and shower bracket onto the main body, then secure with screws.
10. Attach the shower hose and hand shower, securing them in place.

11. Attach the wear-resistant O-ring, hand-wheel/ Diverter knob, grub screw, and silicone cap, securing them in place.



12. Assemble washer, and spout onto the mixer body, then secure with grub screws.
Please Note: Waterproofing is required.

13. Installation is now complete. Test for leaks.